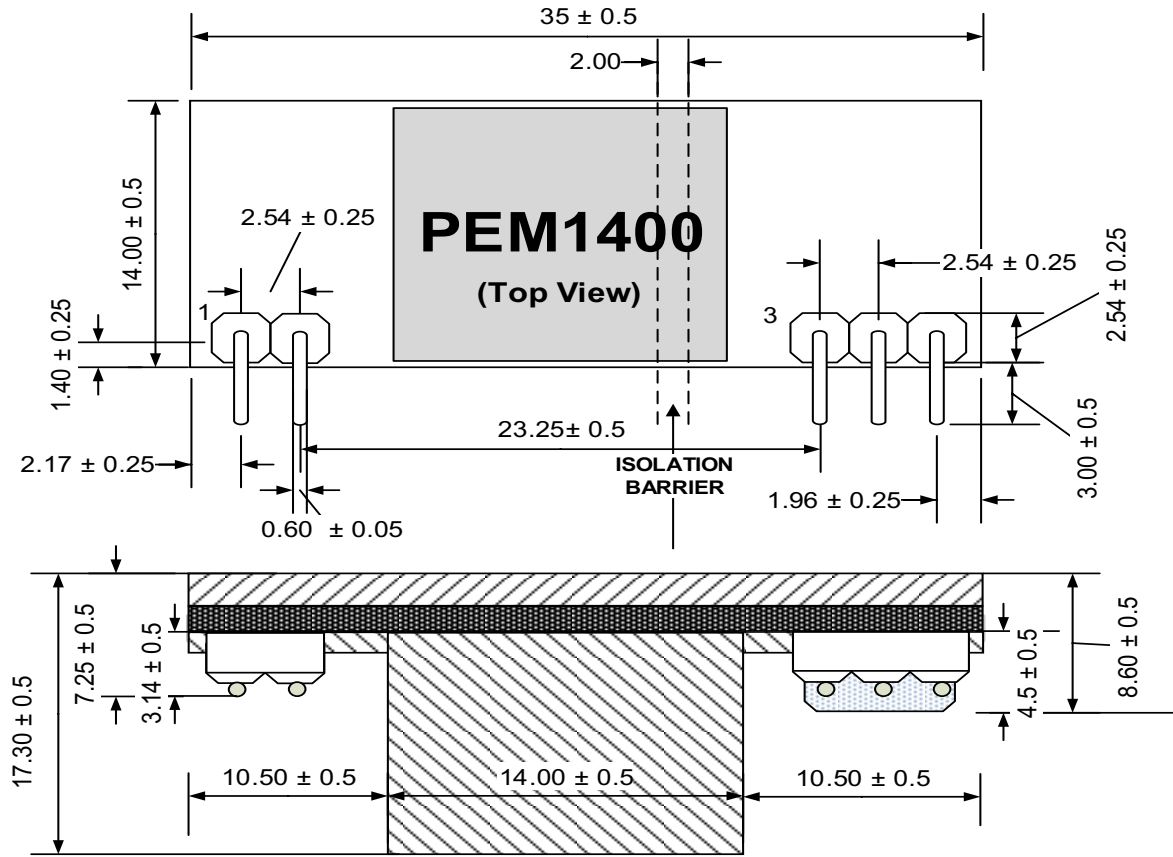
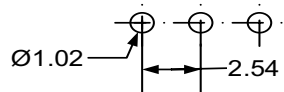


RECOMMENDED PCB HOLE LAYOUT



PEM1400 FOOTPRINT
(409mm²)

Typical Dimensions (mm)